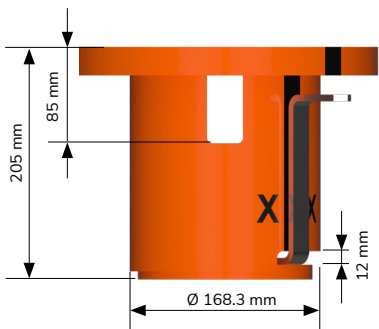
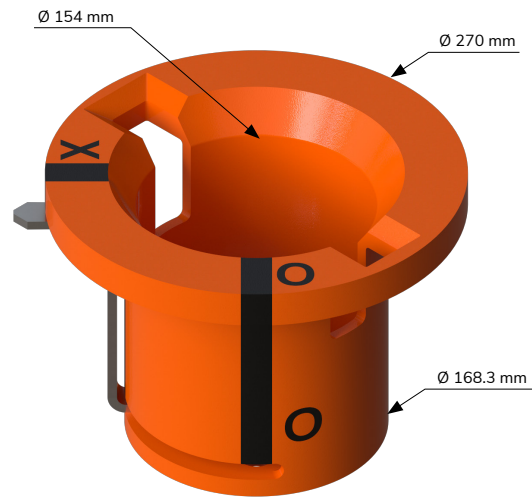
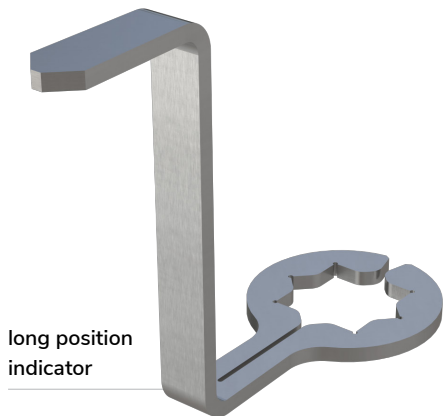
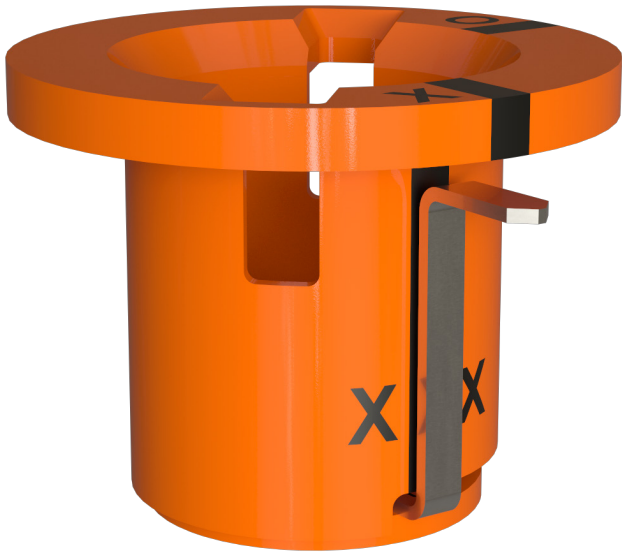
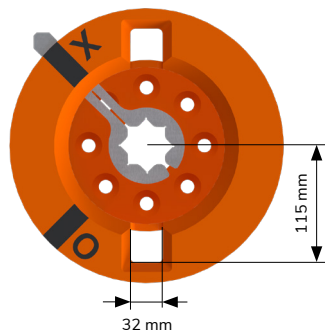


TECHNICAL DATA

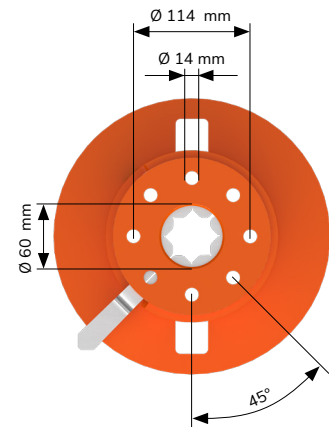
| | |
|---------------------|-------------------|
| Design code | ISO 13628-8 |
| Size pipe | 168.3 mm diameter |
| Height | 205 mm |
| Width | 270 mm |
| Weight of bucket | 12.6 kg |
| Coating | Xylan |
| Weight of indicator | 0,3 kg |



FRONT VIEW



TOP VIEW



BOTTOM VIEW

visit product page

