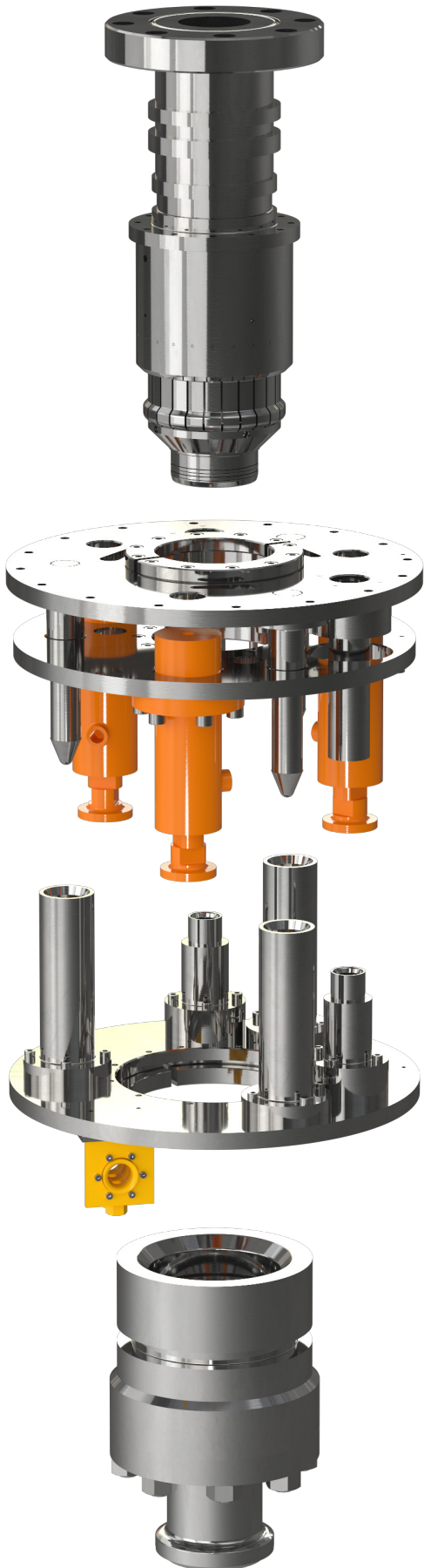
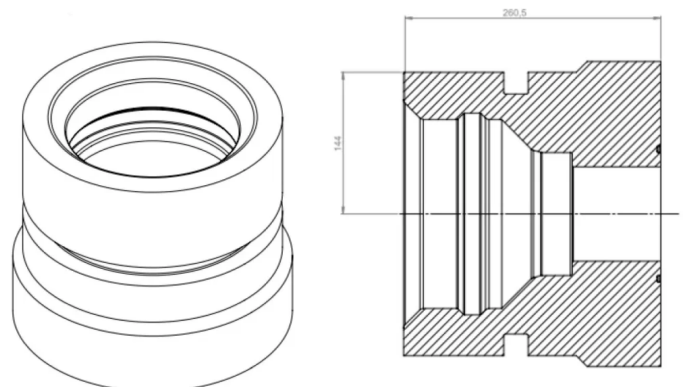


## FEATURES & BENEFITS

- ✓ The subsea EQD stab connector allows hoses to be connected/disconnected subsea, hydraulically or mechanically by ROV
- ✓ The subsea stab can be used as an Emergency Quick Disconnect (EQD) stab
- ✓ Can include control of 2 barrier valves through hydraulic coupler.
- ✓ Self-locking by entering the receptacle by ROV.
- ✓ Easy to use - the male and female components of the stab connector are easy to assemble in service.
- ✓ Can be delivered without EQD as a 4 1/16" collet connector with receptacle



**INTERFACE**  
RECEPTABLE



## TESTING AND QUALIFICATIONS

Design code	ISO 13628
Size	4 1/16"
Design pressure	690 bar
Max. water depth	No limitation
Design temperature	-29°C to 121°C
Coating	Xylan coated

## TECHNICAL DATA (Male Stab)

Locking fingers	Super Duplex 25%Cr
Locking ring	Super Duplex 25%Cr
Locking nut	Super Duplex 25%Cr
Sleeve	Super Duplex 25%Cr
Stab	Super Duplex 25%Cr
Receptacle	Super Duplex 25%Cr
Springs	Elgiloy /MP35 N
Seal / O-ring	Teflon/H NBR 70
Weight	116 kg
End to end dimension	661 mm
Flanges/ Terminations	API, ASME, Compact Flange, or to client specification

