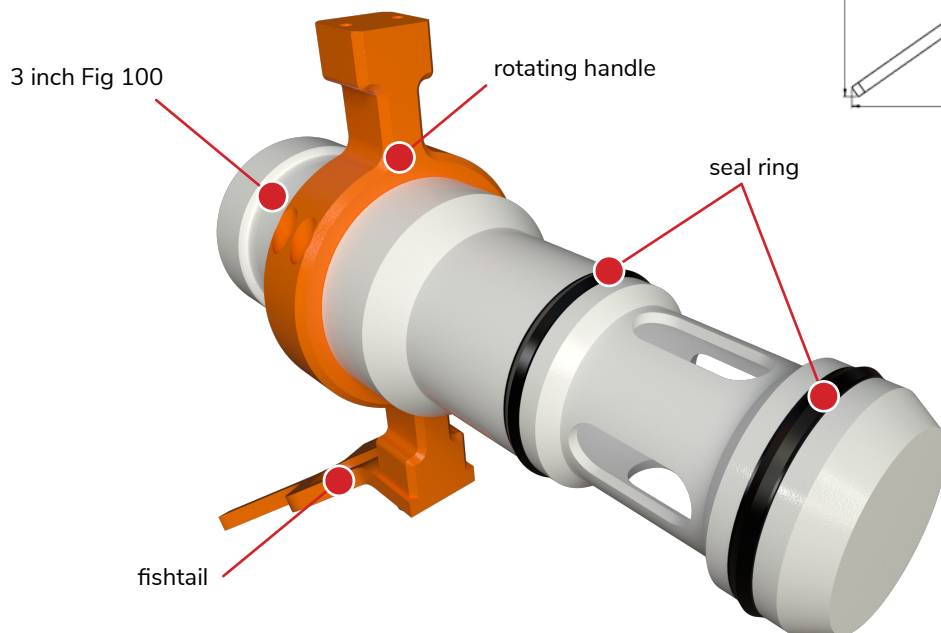
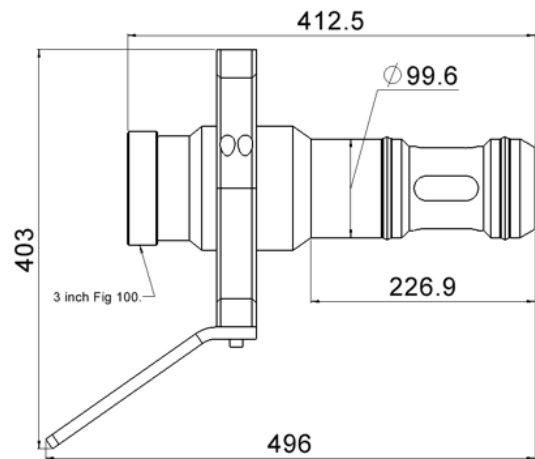




FEATURES & BENEFITS

SubseaDesign's 3-inch low pressure hot stab assembly is typically used as suction and pumping tool for suction piles. The handle can swivel and is equipped with a fishtail for easy access and mechanical operation by ROV.

Height	496 mm
Width	403 mm
Weight	18.2 kg (dry)
Max. water depth	No limitation
Material stab (seals)	SuperDuplex (HPU/NBR)
Material fishtail & rod	SuperDuplex



visit product page

