

EQD – EMERGENCY QUICK DISCONNECT

4 1/16” BORE SUBSEA STAB CONNECTOR



PRODUCT DATASHEET

SYSTEM, PRODUCT AND SERVICE PROVIDER



EQD – Emergency Quick Disconnect Stab Connector

Features and benefits

- The subsea EQD stab connector allows hoses to be connected/disconnected subsea, hydraulically or mechanically by WROV
- The subsea stab can be used as an Emergency Quick Disconnect (EQD) stab
- Can include control of 2 barrier valves through hydraulic coupler.
- Self-locking by entering the receptacle by WROV.
- Easy to use – the male and female components of the stab connector are easy to assemble in service.

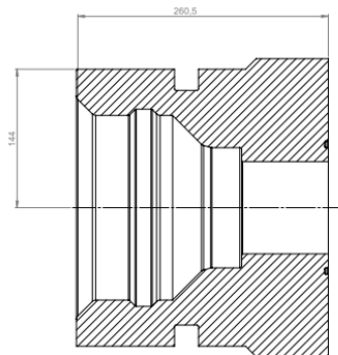
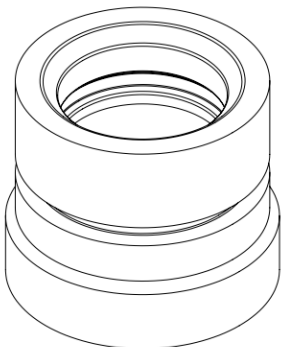
Testing and Qualifications

Design code	ISO 13628
Size	4 1/16”
Design pressure	690 bar
Max. water depth	No limitation
Design temperature	-29°C to 121°C
Coating	Xylan coated

Technical data for 4 1/16” Stab

Text	Value
Locking fingers	Super Duplex 25%Cr
Locking ring	Super Duplex 25%Cr
Locking nut	Super Duplex 25%Cr
Sleeve	Super Duplex 25%Cr
Stab	Super Duplex 25%Cr
Receptacle	Super Duplex 25%Cr
Springs	Elgiloy/MP35 N
Seal/O-ring	Teflon/H NBR 70
Weight	116 kg
End to end dimension	661 mm
Flanges/ Terminations	API, ASME, SPO flange, or to contractor specification

Interface Receptacle



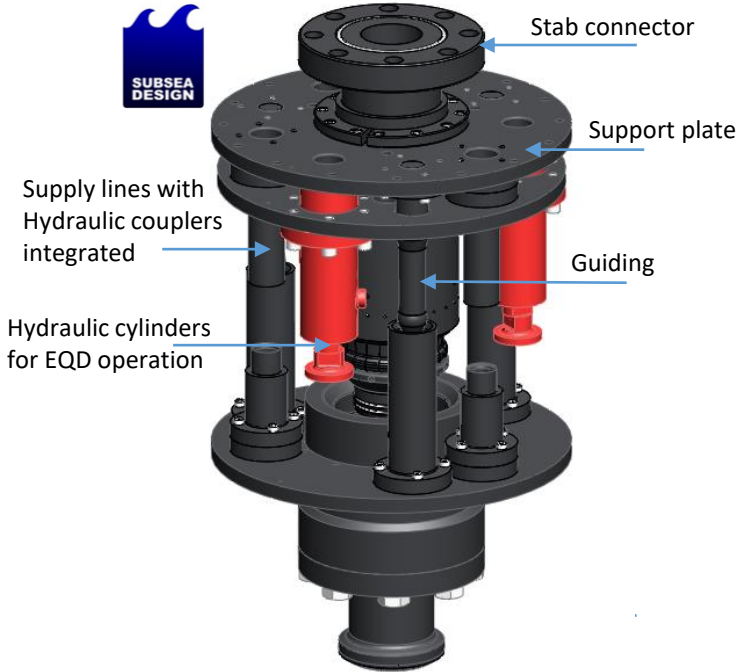
EQD – EMERGENCY QUICK DISCONNECT 4 1/16" BORE SUBSEA STAB CONNECTOR



PRODUCT DATASHEET

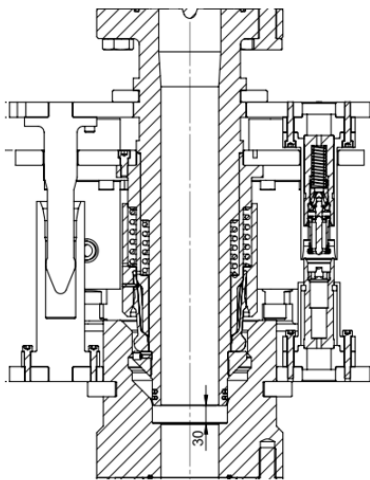
SYSTEM, PRODUCT AND SERVICE PROVIDER

Stab connector in EQD application

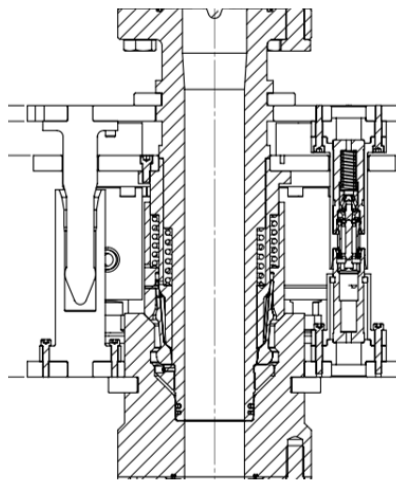


How it works

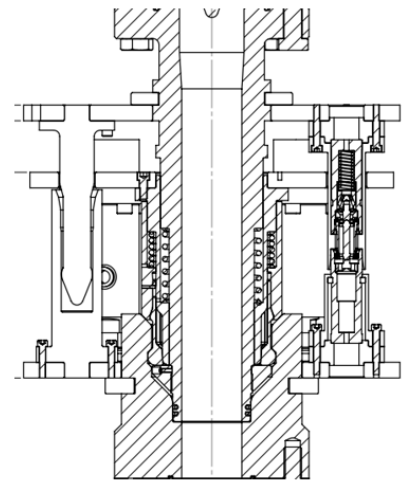
The subsea stab is an Emergency Quick Disconnect (EQD) stab that is self-locking by entering into the receptacle. Two barrier valves can be controlled by the unit.



STAB ENTERING



STAB LOWER POSITION
SLEEVE DESCENDING



STAB LOCKED