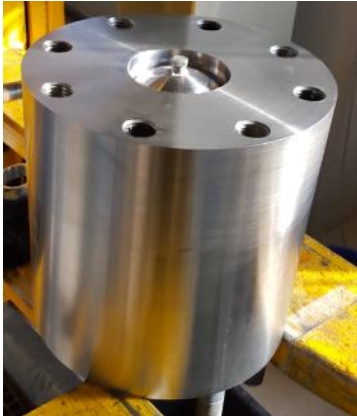


# CHECK VALVE

## 4 inch



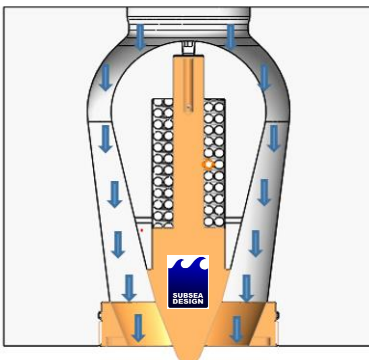
### Check valve features and benefits

- Designed for high pressure and flow service
- Unique drop shape and dynamic design allows flow with minimum pressure drop
- No risk for cavitation
- No flow restriction and full area through valve
- Prevents backflow in the supply line
- Valve opening pressure can be adapted up to 5 bar
- Metal-to-metal sealing between contact surfaces
- Polymer back-up seal in addition can be implemented
- Simple and reliable design with few components
- Body in one piece without risk for leakage

### Technical data 4" Check Valve

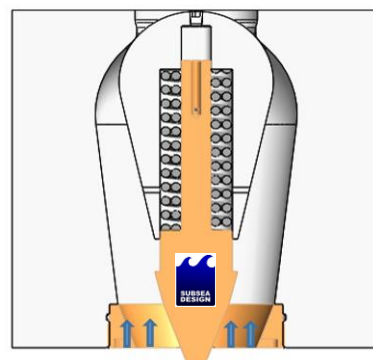
Typical valve construction materials	-house: NORSOK M-630 D57 -piston: NORSOK M-630 D57 -rod: NS-EN 1982-CUAL10Fe5Ni5 -spring: Elgiloy/MP35 N
Operating pressure	690 bar
Max. differential pressure	5 bar
Max. supply flow rate	8 m <sup>3</sup> /min.
Burst capacity	Same as flange
Temperature range	-40°C to 200°C
Weight	153 kg
Design code	ISO 13628

## How it Works



### **Open**

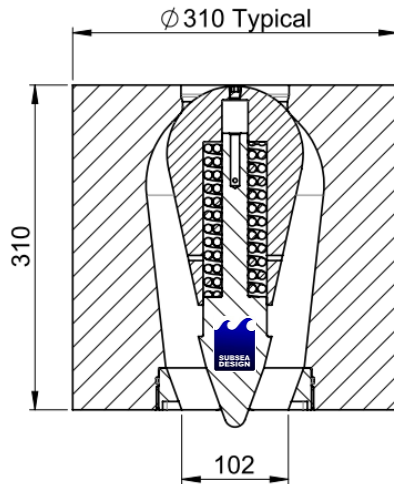
Flow passes smoothly through valve with no flow restriction



### **Closed**

Full pressure is carried by metal-to-metal sealing between contact surfaces

## 4" Check Valve Dimensions



## Interfaces

Can be adapted to all type of flanges and fittings, typical:

- API flange
- ASME flange
- SPO flange
- Weco fittings
- NPT
- Different Clamp solutions

Top view



Bottom view

