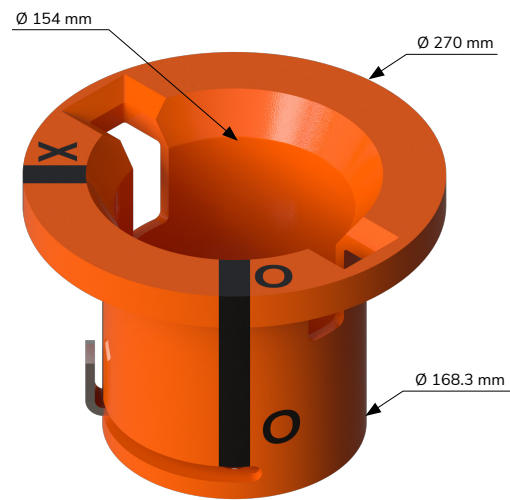
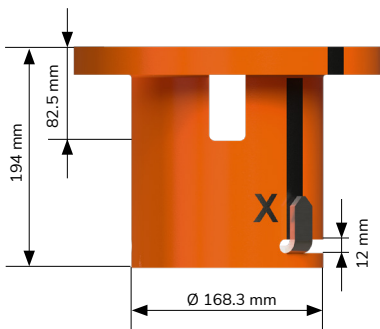
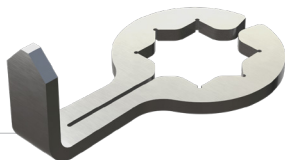


TECHNICAL DATA

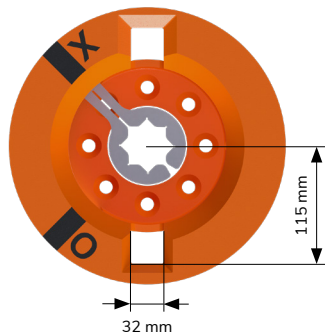
Design code	ISO 13628-8
Size pipe	168.3 mm diameter
Height	194 mm
Width	270 mm
Length	194 mm
Weight of bucket	10.8 kg
Coating	Xylan
Weight of indicator	0,2 kg



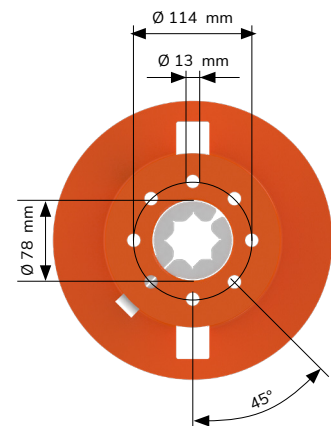
short position indicator



FRONT VIEW



TOP VIEW



BOTTOM VIEW

visit product page

