

EQD – EMERGENCY QUICK DISCONNECTOR

4 1/16” BORE

SUBSEA STAB CONNECTOR



EQD – Emergency Quick Disconnect Stab Connector

Features and benefits

- The subsea EQD stab connector allows hoses to be connected/disconnected subsea, hydraulically or mechanically by WROV
- The subsea stab can be used as an Emergency Quick Disconnect (EQD) stab
- Can include control of 2 barrier valves through hydraulic coupler.
- Self-locking by entering into the receptacle by WROV.
- Easy to use – the male and female components of the stab connector are easy to assemble in service.

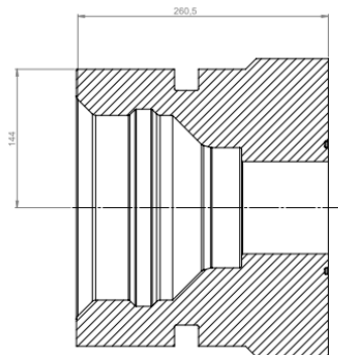
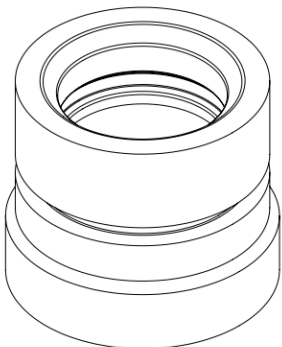
Testing and Qualifications

Design code	ISO 13628
Size	4 1/16”
Design pressure	345 bar
Max. water depth	No limitation
Design temperature	-29°C to 121°C
Coating	Xylan coated

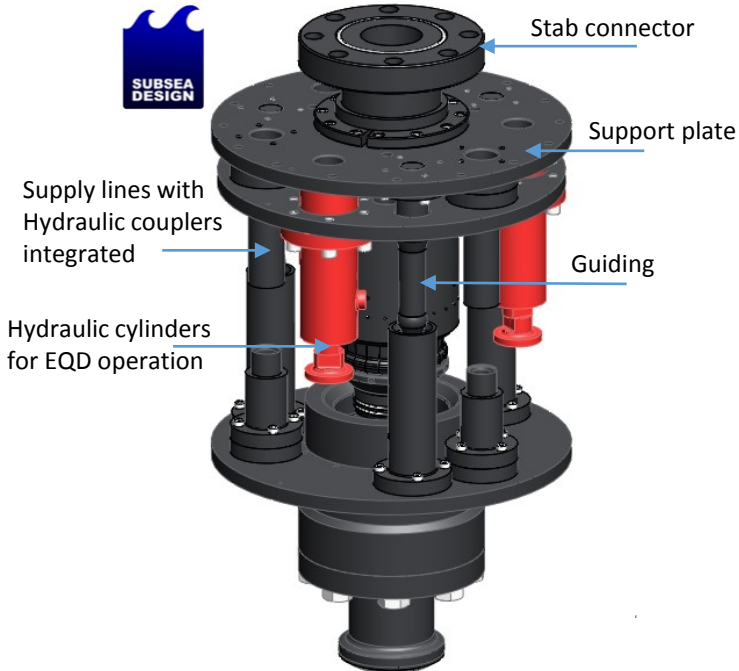
Technical data for 4 1/16” Stab

Text	Value
Locking fingers	Super Duplex 25%Cr
Locking ring	Super Duplex 25%Cr
Locking nut	Super Duplex 25%Cr
Sleeve	Super Duplex 25%Cr
Stab	Super Duplex 25%Cr
Receptacle	Super Duplex 25%Cr
Springs	Elgiloy/MP35 N
Seal/O-ring	Teflon/H NBR 70
Weight	116 kg
End to end dimension	661 mm
Flanges/ Terminations	API, ASME, SPO flange, or to contractor specification

Interface Receptacle



Stab connector in EQD application



How it works

The subsea stab is an Emergency Quick Disconnect (EQD) stab that is self-locking by entering into the receptacle. Two barrier valves can be controlled by the unit.

